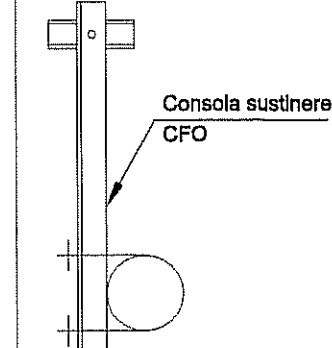


DETALIUL "A"



LEGENDA

- ⊙ Mufa jonctiune (rosu faza definitiva)
- / — Cabluri in sapatura (rosu faza definitiva, verde existent)
- — — Cablu existent in protectie metalica (Suthzeisen)
- — — Cablu faza definitiva in protectie metalica (Suthzeisen)

ATENTIE !
CABLURI
EXISTENTE IN FUNCTIUNE

RESPECTATI MASURILE PRIVIND
SANATATEA SI SECURITATEA IN MUNCA
SI SITUATIILE DE URGENTA

B					
A					
Modificare Modification / Revision					
BENEFICIAR/ BENEFICIARY:		AUTORITATEA DE IMPLEMENTARE/ IMPLEMENTUNG AUTHORITY		AUTORITATEA CONTRACTANTA/ CONTRACTING AUTHORITY	
ROMANIAN RAILWAY NATIONAL COMPANY		Ministerul Transporturilor Ministry of Transport		CFCEU	
prointec		CONSYS PROIECT		Ministerul Economiei si Finantelor Oficiul de Plati si Contractare Phare Ministry of Economy and Finances Phare Payments & Contracting Office	
Proiect finantat de UNIUNEA EUROPEANA Project financed by EUROPEAN UNION		POS Transport 2007- 2013		Contract / Contract: 1303/2007	
Faza / Phase: Pth+DE					
Intocmit Designed	Ing. Raliade Lucian		Scara / Scale :	PORTOFOLIUL DE PROIECTE PHARE CES 2005 / PHARE CES 2005 PROJECTS PORTFOLIO LOT 1	
Verificat Checked	Ing. Enache Florin		1:200	Asistenta tehnica pentru pregatirea unor lucrari de reabilitare pentru tuneluri si poduri de cale ferata Technical assistance for preparing rehabilitation works required by railway tunnels and bridges	
Sef echipa Team leader	Ing. Stelian Vara-Oros		Data / Date :	Denumire desen / Drawing Title : Sursă: RCF/ Railway district IASI Unia cf /Railway line 500 Ploiesti-Vicsani Liniu II Podet / Culvert km 322+537 Protectie cabluri de telecomunicatii la pod/Bridge TTR cables protection	
			07.2010	Cod desen / Drawing Code	Nr. / No: 01
				PT 73	